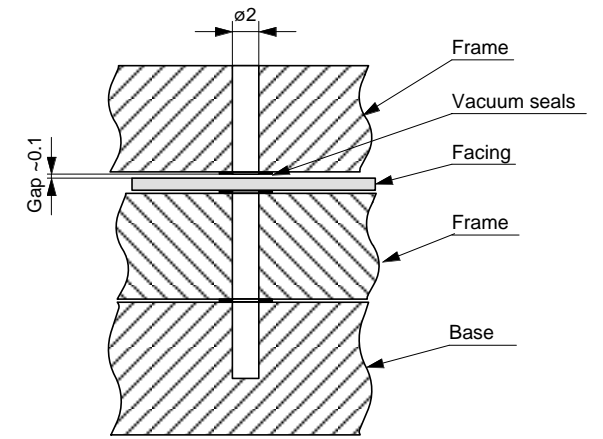
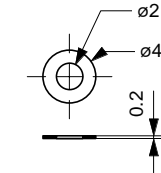


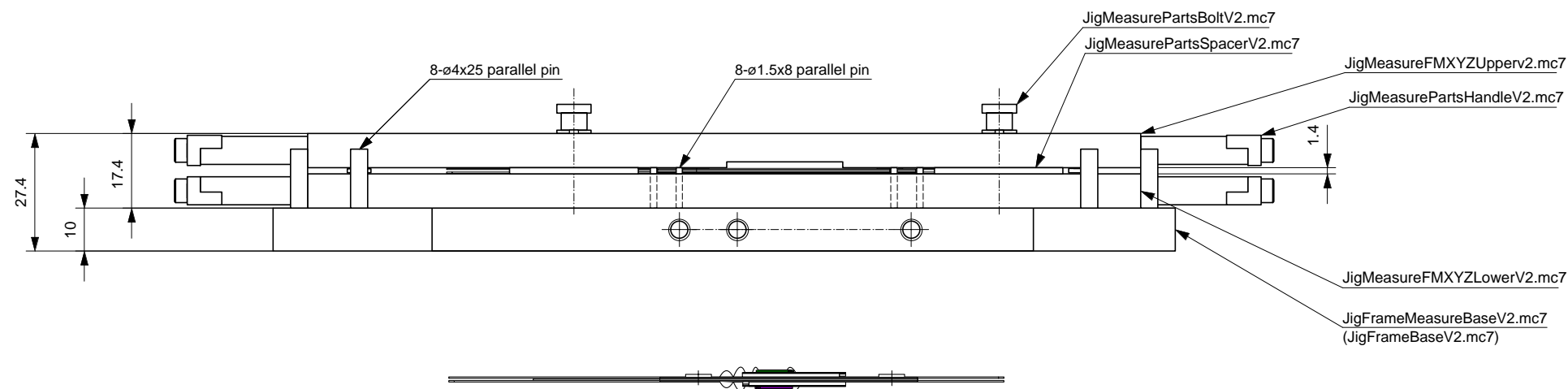
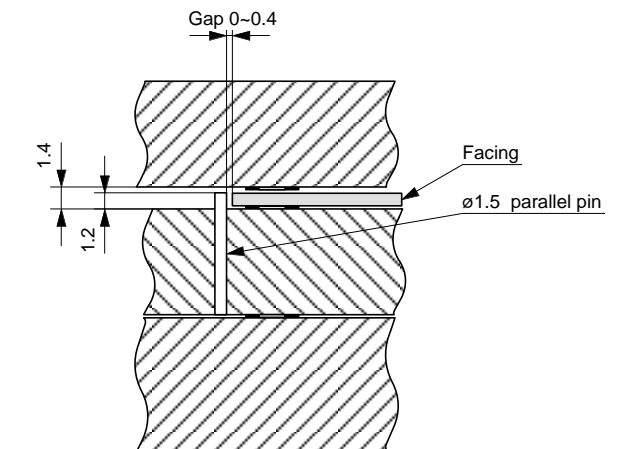
Detail of vacuum seal Scale 2.5/1



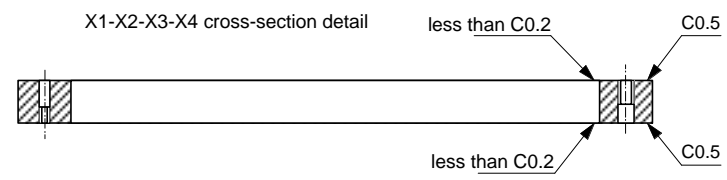
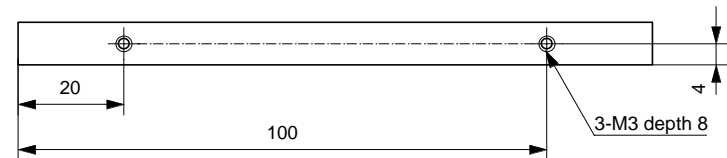
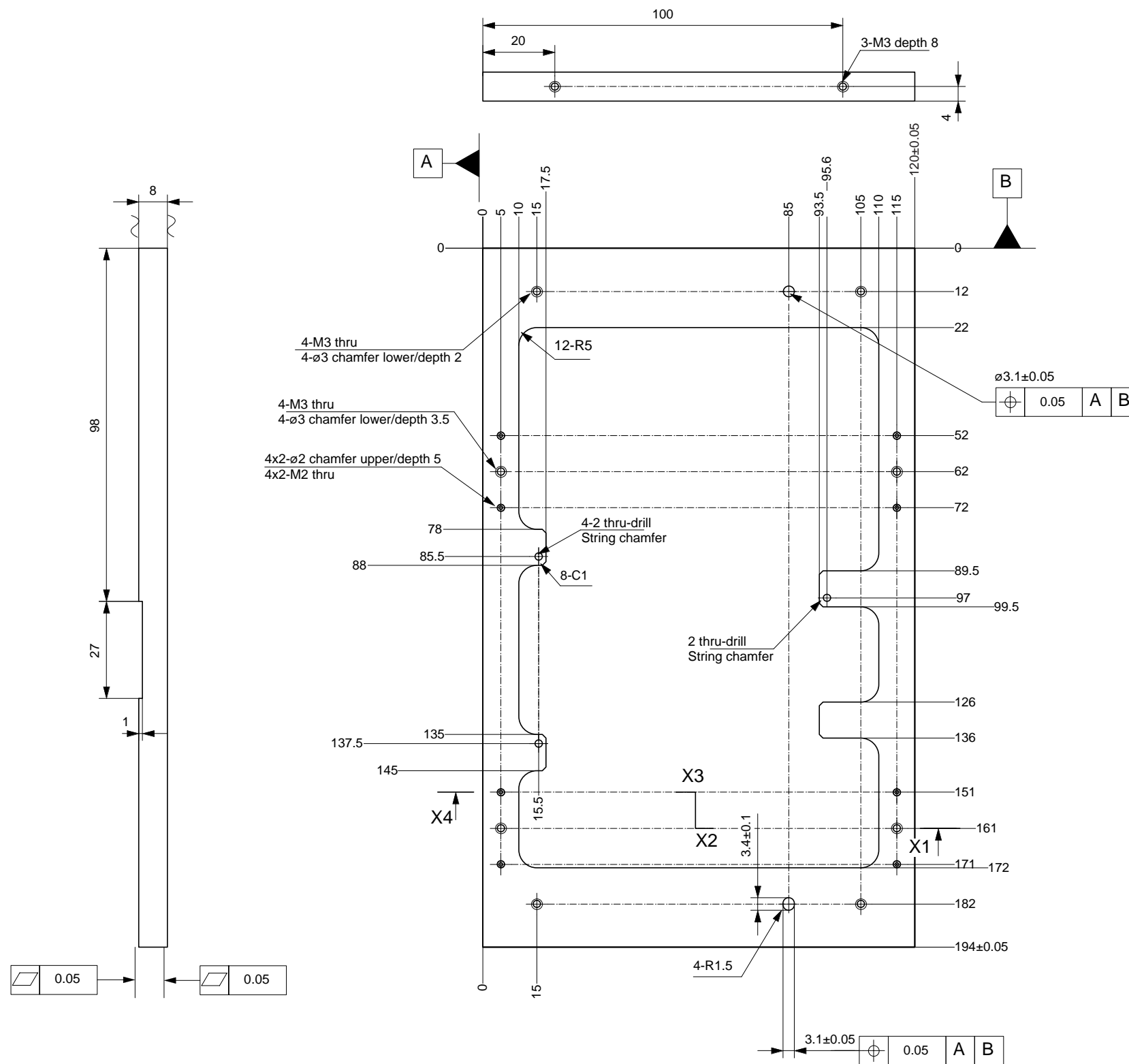
Vacuum seals(0.2t adhesive tape) Scale2.5/1



Detail of module positioning Scale 2.5/1

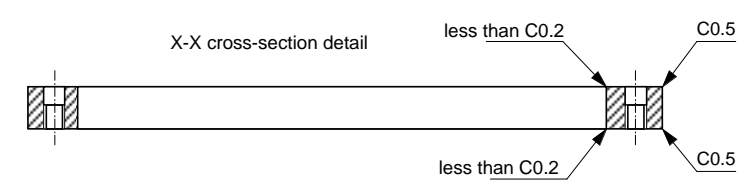
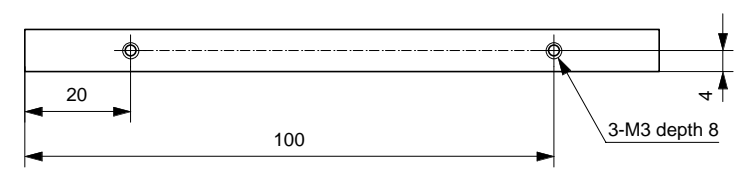
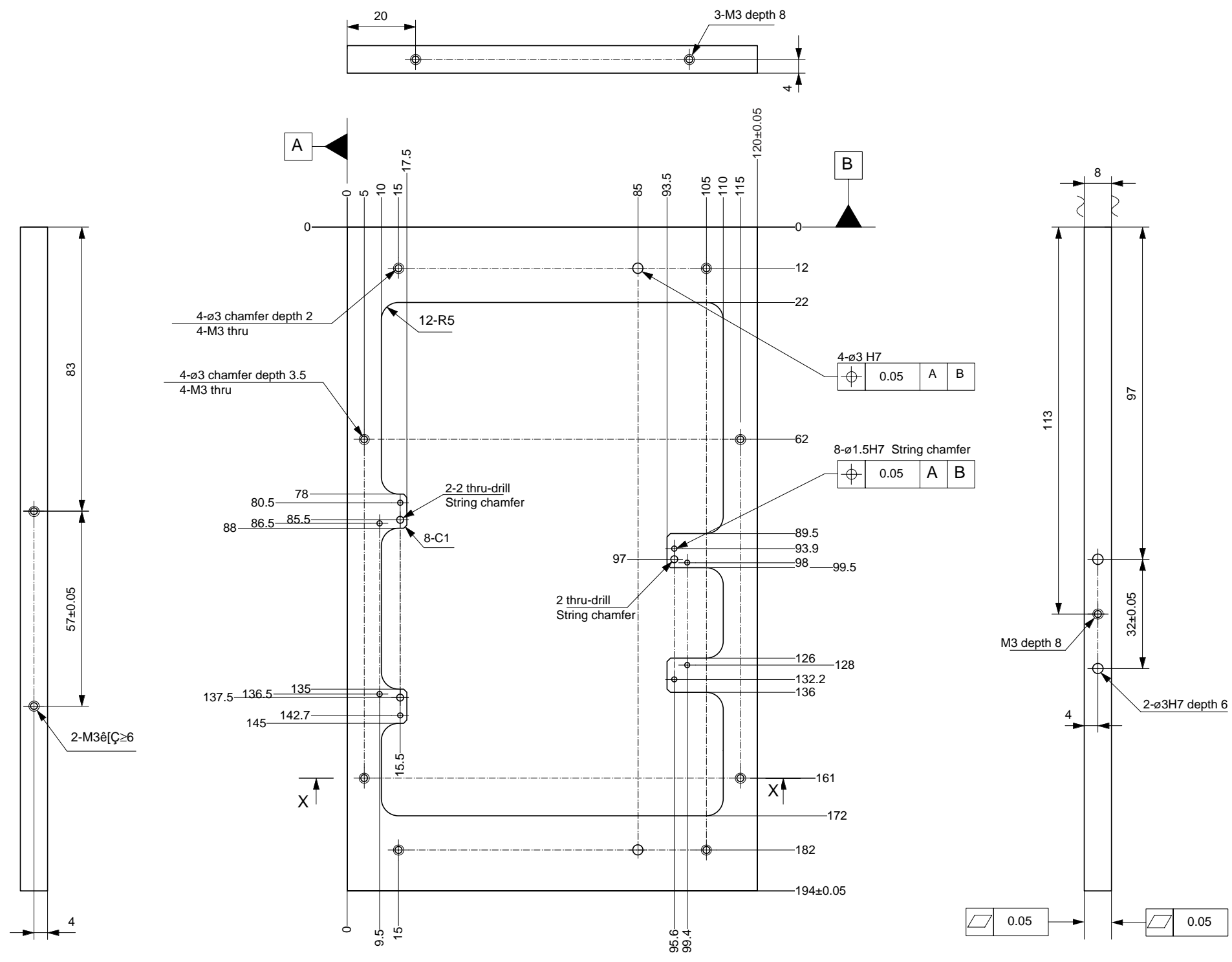


|  |  |                              |
|--|--|------------------------------|
| TOLERANCES UNLESS STATED<br>General            | FINISH<br>Remove all burrs<br>Wash out oils and fats                       | ORIGINAL SCALE<br>1/1(2.5/1) |
| MATERIAL & SPEC.<br>A5052P                     | SURFACE TEXTURE $\mu\text{m}$<br>Ra=3.2 $\mu\text{m}$ (1.6 $\mu\text{m}$ ) | QUANTITY<br>pieces           |
| TITLE<br>Module metrology jig V2.0<br>Assembly | DRAWING No.<br>A2-2002-06-07-1   | 20020621/R0<br>T.Kohriki@KEK |



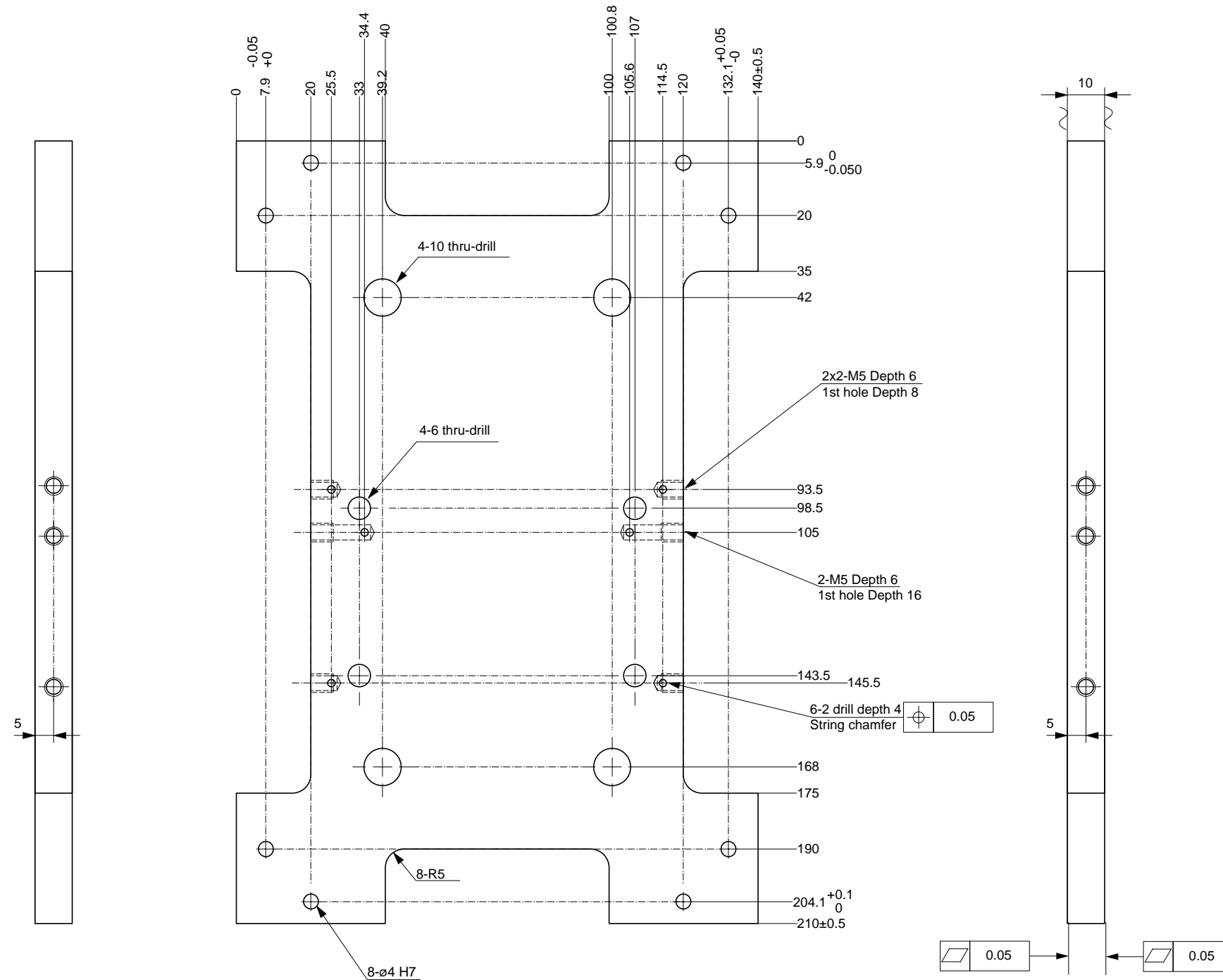
Note:  
Chamfer all with C0.5 unless stated  
Surface finish with Silver-Alumite

|                              |   |  |                              |
|------------------------------|---|--|------------------------------|
| Outer dimension<br>8x120x194 | TOLERANCES UNLESS STATED<br>Generally ±0.2          | FINISH<br>Remove all burrs<br>Wash out oils and fats | ORIGINAL SCALE<br>1/1        |
|                              | MATERIAL & SPEC.<br>A5052P                          | SURFACE TEXTURE μm<br>Ra= 1.6 μm (-)                 | QUANTITY<br>2 pieces         |
|                              | TITLE<br>Module metrology jig V2.0<br>Frame (upper) | DRAWING No.<br>A2-2002-06-07-2                       | 20020621/R0<br>T.Kohriki@KEK |



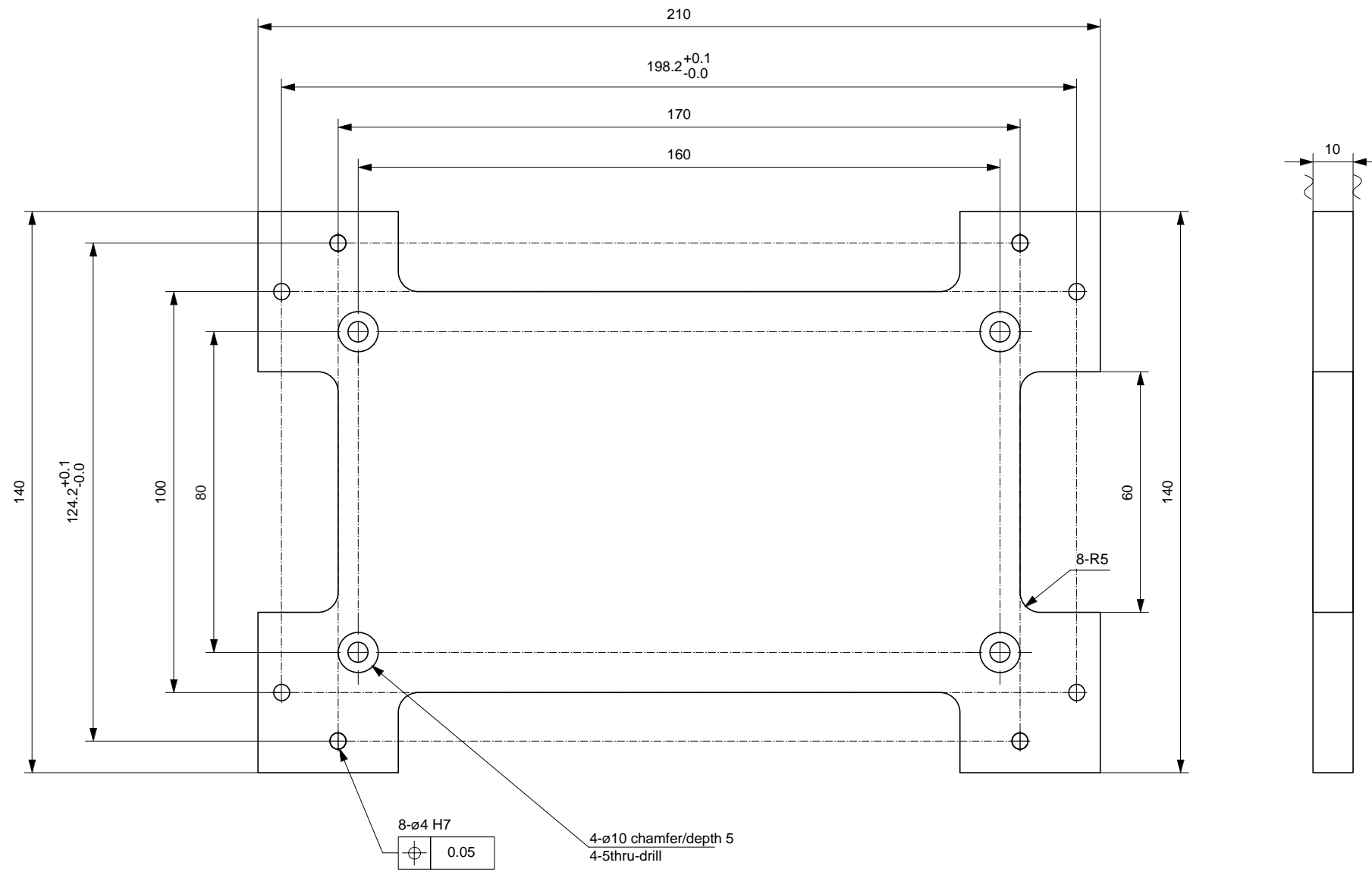
Note:  
Chamfer all with C0.5 unless stated  
Surface finish with Silver-Alumite

|                              |   |  |                              |
|------------------------------|---|--|------------------------------|
| Outer dimension<br>8x120x194 | TOLERANCES UNLESS STATED<br>Generally ±0.2          | FINISH<br>Remove all burrs<br>Wash out oils and fats | ORIGINAL SCALE<br>1/1        |
|                              | MATERIAL & SPEC.<br>A5052P                          | SURFACE TEXTURE μm<br>Ra= 1.6 μm (-)                 | QUANTITY<br>2 pieces         |
|                              | TITLE<br>Module metrology jig V2.0<br>Frame (lower) | DRAWING No.<br>A2-2002-06-07-3                       | 20020621/R0<br>T.Kohriki@KEK |



Note:  
Chamfer all with C0.5 unless stated  
Surface finish with Silver-Alumite

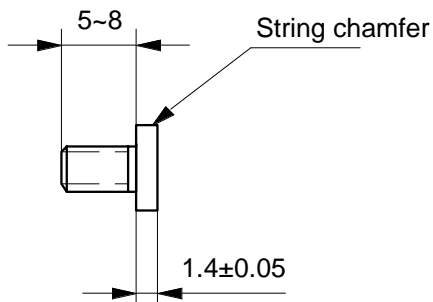
|                               |  |   |                              |
|-------------------------------|--|---|------------------------------|
| Outer dimension<br>10x140x210 | TOLERANCES UNLESS STATED<br>Generally ±0.2       | FINISH<br>Remove all burrs<br>Wash out oils and fat | ORIGINAL SCALE<br>1/1        |
|                               | MATERIAL & SPEC.<br>A5052P                       | SURFACE TEXTURE µm<br>Ra= 1.6 µm (-)                | QUANTITY<br>1 piece          |
|                               | TITLE<br>Module metrology jig V2.0<br>Frame base | DRAWING No.<br>A2-2002-06-04-1                      | 20020618/R0<br>T.Kohriki@KEK |



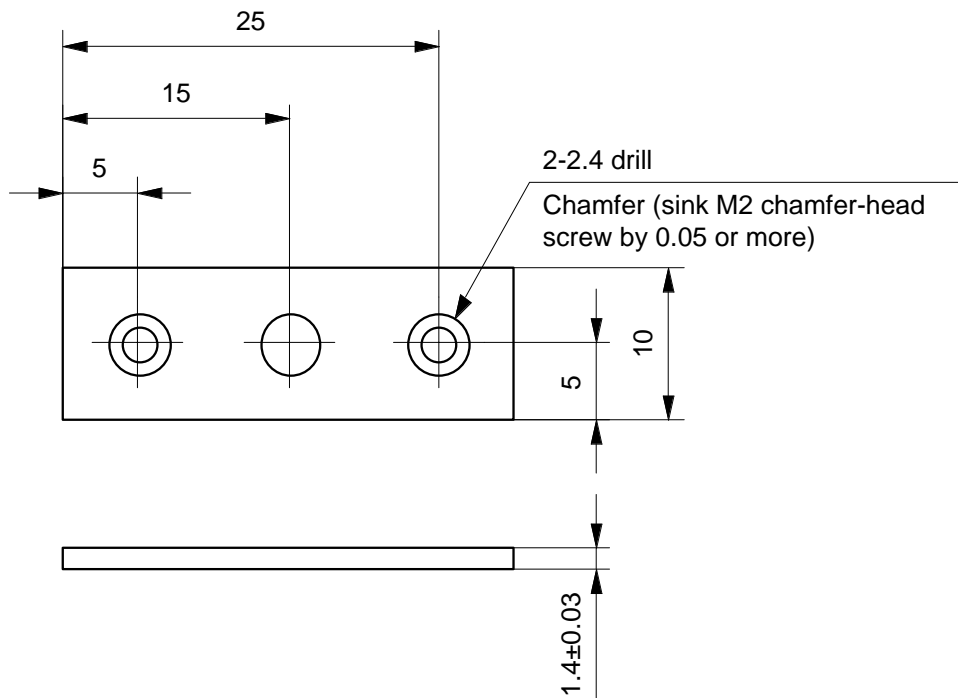
Note:  
 Chamfer all with C0.5 unless stated  
 Surface finish with Silver-Alumite

|                               |  |   |                              |
|-------------------------------|--|---|------------------------------|
| Outer dimension<br>10x140x210 | TOLERANCES UNLESS STATED<br>Generally ±0.2 | FINISH Remove all burrs<br>Wash out oils and fats | ORIGINAL SCALE<br>1/1        |
|                               | MATERIAL & SPEC.<br>A5052P                 | SURFACE TEXTURE µm<br>Ra= 1.6 µm (-)              | QUANTITY<br>1 piece          |
|                               | TITLE Module metrology jig V2.0<br>Base    | DRAWING No.<br>A2-2002-06-04-2                    | 20020620/R0<br>T.Kohriki@KEK |

**A** M3 spacer / quantity 8 / SUS304 Hex-bolt machined

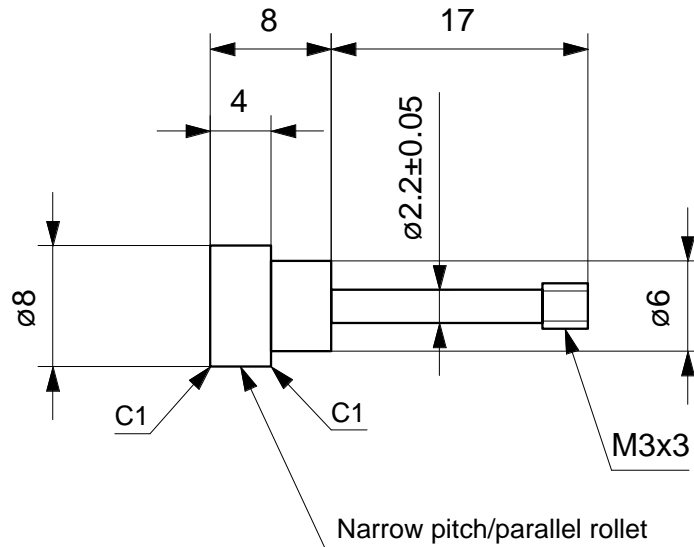


**B** 1.4t spacer / quantity 8 / A5052P Surface finish with Silver-Alumite



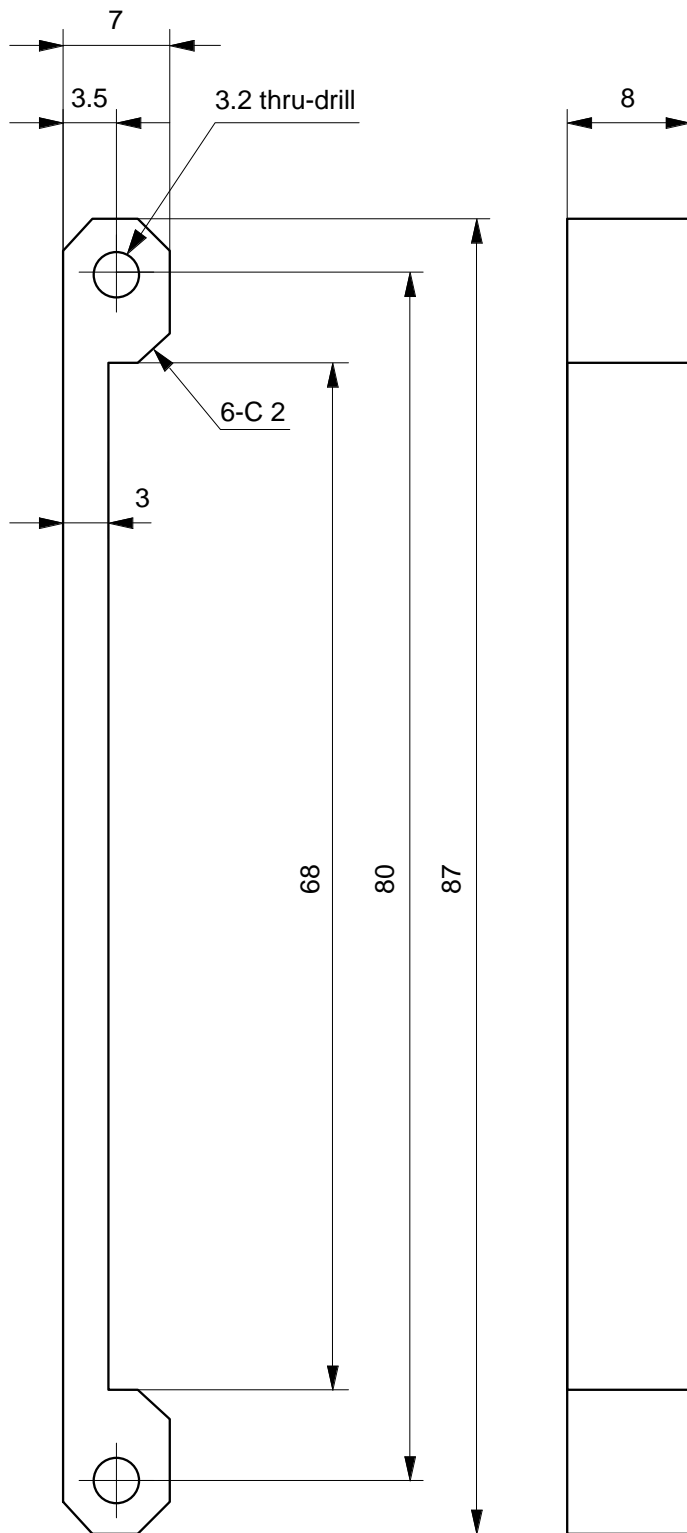
**Note:**  
Chamfer all with C0.5 unless stated

|  |   |   |                              |
|--|---|---|------------------------------|
|  | TOLERANCES UNLESS STATED<br>Generally $\pm 0.2$ | FINISH Remove all burrs<br>Wash out oils and fats         | ORIGINAL SCALE<br>2/1        |
|  | MATERIAL & SPEC.                                | SURFACE TEXTURE $\mu\text{m}$<br>Ra=3.2 $\mu\text{m}$ (~) | QUANTITY<br>4 pieces         |
|  | TITLE Module metrology jig V2.0<br>Spacers      | DRAWING No.<br>A4-2002-06-03-10                           | 20020619/R0<br>T.Kohriki@KEK |



Note:  
Chamfer all with C0.5 unless stated

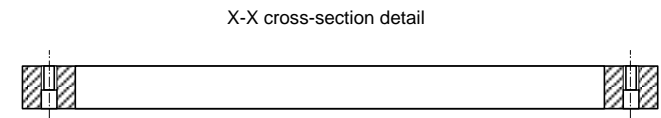
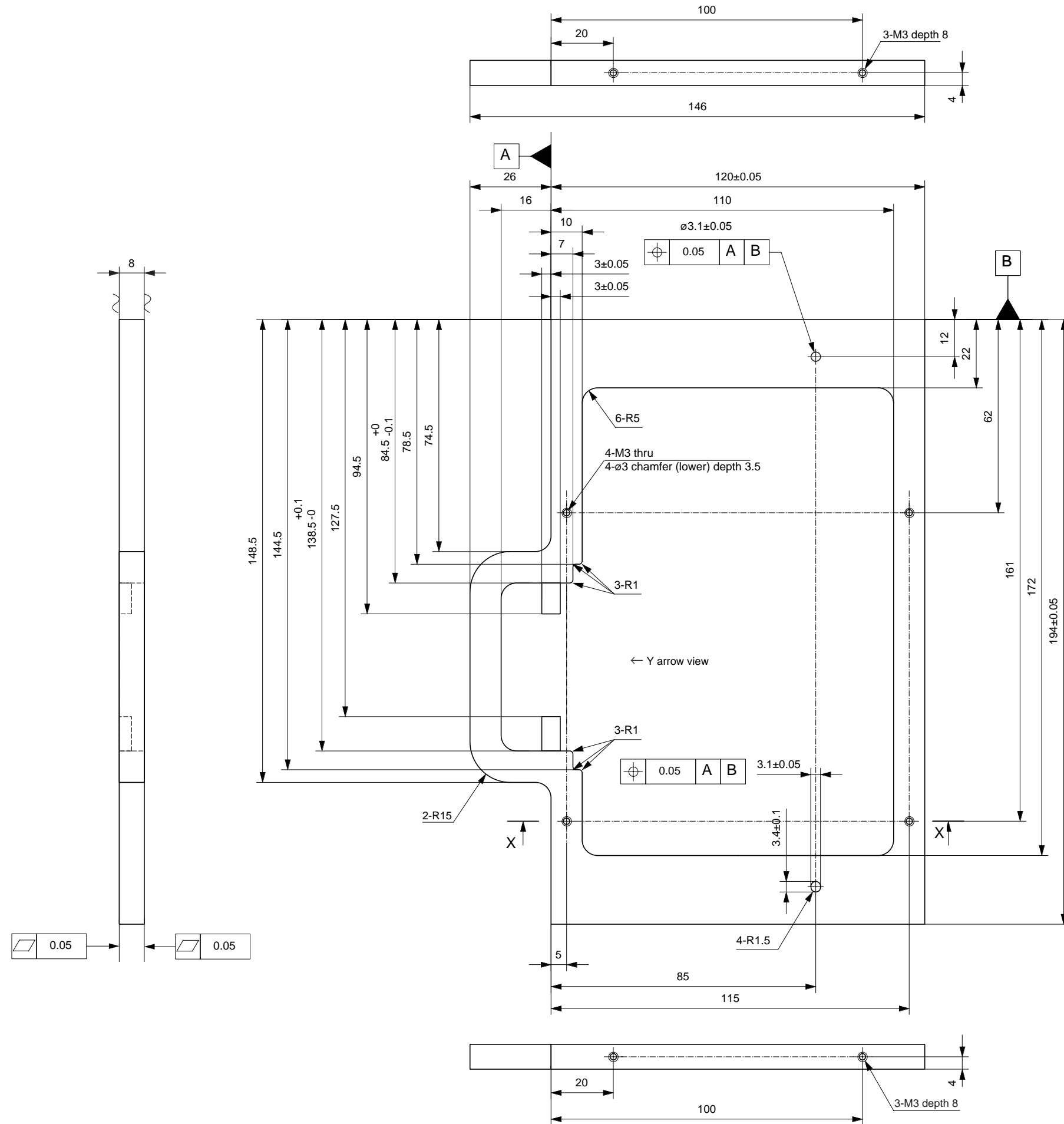
|  |   |  |                              |
|--|---|--|------------------------------|
| Outer dimension<br>$\varnothing 8 \times 25$ | TOLERANCES UNLESS STATED<br>Generally $\pm 0.2$           | FINISH<br>Remove all burrs<br>Wash out oils and fats       | ORIGINAL SCALE<br>2/1        |
|  | MATERIAL & SPEC.<br>SUS304 or 303                         | SURFACE TEXTURE $\mu\text{m}$<br>Ra= 1.6 $\mu\text{m}$ (~) | QUANTITY<br>4 pieces         |
|  | TITLE<br>Module metrology jig V2.0<br>Fixture bolt (L=25) | DRAWING No.<br>A4-2002-06-03-9                             | 20020619/R0<br>T.Kohriki@KEK |



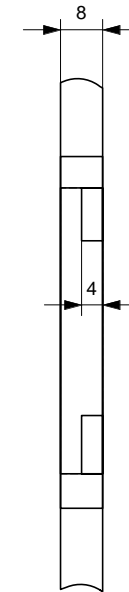
Note:  
 Chamfer all with C0.5 unless stated  
 Surface finish with Silver-Alumite

|  |   |   |                              |
|--|---|---|------------------------------|
|  | TOLERANCES UNLESS STATED<br>Generally $\pm 0.2$ | FINISH<br>Remove all burrs<br>Wash out oils and fats      | ORIGINAL SCALE<br>2/1        |
|  | MATERIAL & SPEC.                                | SURFACE TEXTURE $\mu\text{m}$<br>Ra=3.2 $\mu\text{m}$ (~) | QUANTITY<br>4 pieces         |
|  | TITLE<br>Module metrology Jig V2.0<br>Handle    | DRAWING No.<br>A4-2002-06-03-11                           | 20020619/R0<br>T.Kohriki@KEK |





Y arrow view detail



Note:  
Chamfer all with C0.5 unless stated  
Surface finish with Silver-Alumite

|                              |   |   |                              |
|------------------------------|---|---|------------------------------|
| Outer dimension<br>8x146x194 | TOLERANCES UNLESS STATED<br>Generally ±0.2              | FINISH Remove all burrs<br>Wash out oils and fats | ORIGINAL SCALE<br>1/1        |
|                              | MATERIAL & SPEC.<br>A5052P                              | SURFACE TEXTURE μm<br>Ra= 1.6 μm (-)              | QUANTITY<br>1 piece          |
|                              | TITLE Module metrology jig V2.0<br>Picker support frame | DRAWING No.<br>A2-2002-06-06-4                    | 20020620/R0<br>T.Kohriki@KEK |