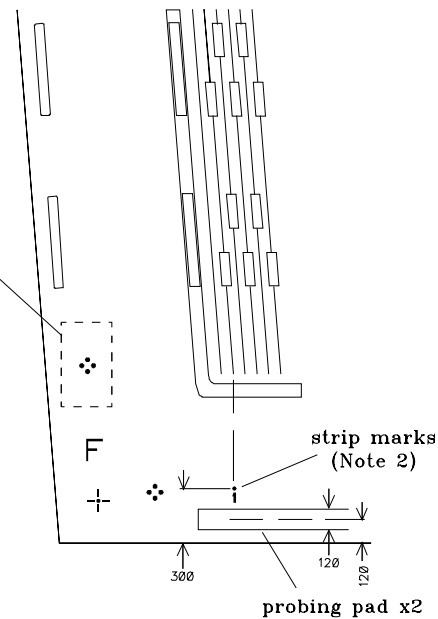


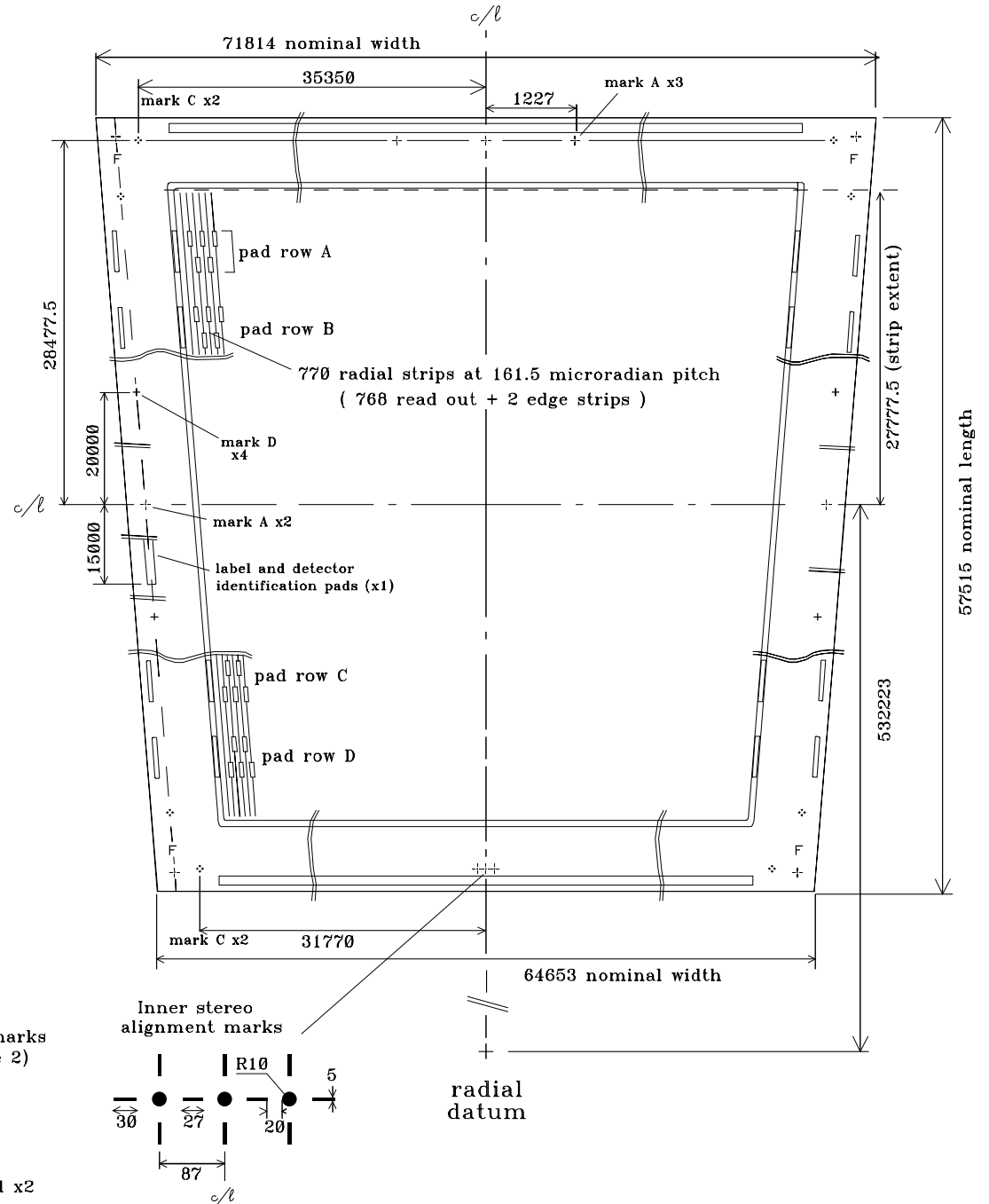
### Bottom Corner Detail

500 x 300 pattern-free (marks C and D)



### NOTES:

1. Marks, label and scratch pads detailed in drg: "ATLAS SCT Alignment/ID marks"
2. Omit individual strip marks in cases of conflict with alignment marks
3. Edge strips may be identical to strips 1-768. Alternatively, implant and metal may be d.c. connected to bias ring (omitting read-out pads) and p-bias pad optionally located between strip and bias ring.



Title	Version	Date	Drawn by (Cadence)	Checked by	Dimensions	Tolerances	Scale
ATLAS SCT W32	002	5 NOV. 1999	G.A.Beck, QMW	T.J.	$\mu\text{m}$	Lithographic: $\pm 3\mu\text{m}$ Sawn: $\pm 25\mu\text{m}$	NOT TO SCALE