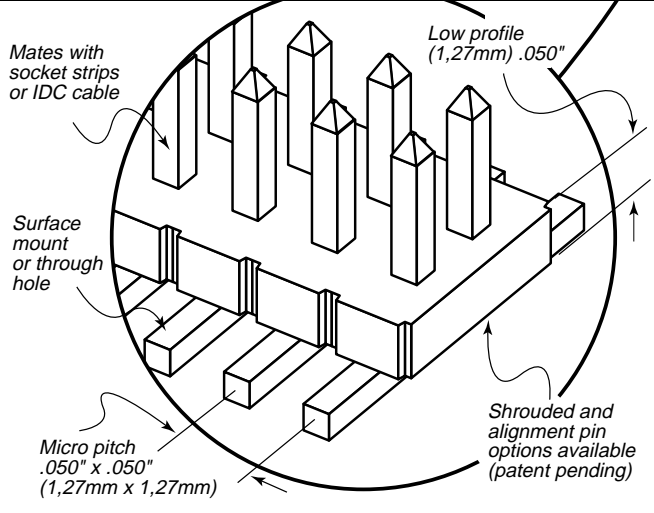
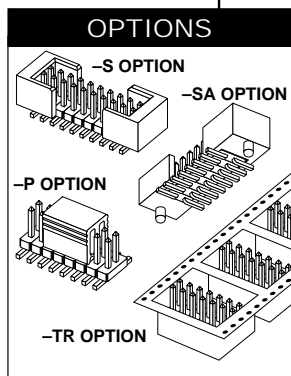


.050" X .050" MICRO STRIPS FTS SERIES

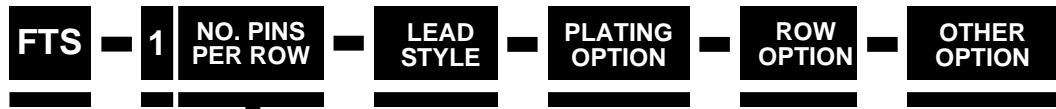
Specifications:

FTS HI-TEMP
 Insulator Material: Black Liquid Crystal Polymer
 Terminal Material: Phosphor Bronze
 Current Rating: 1.75A @ 80°C ambient
 Operating Temp Range: -65°C to +125°C
 Max Processing Temp: 230°C for 60 seconds
 Plating: Sn or Au over 50µ" (1,27µm) Ni
 SMT Lead Coplanarity: .004" (0,10mm) max

Mates with: FFSD, CLP, FLE, SFMC(LIF)



Note: Some lengths, styles and options are non-standard, non-returnable.



02 thru 50
 (except -S & -SA option = 05 thru 46)

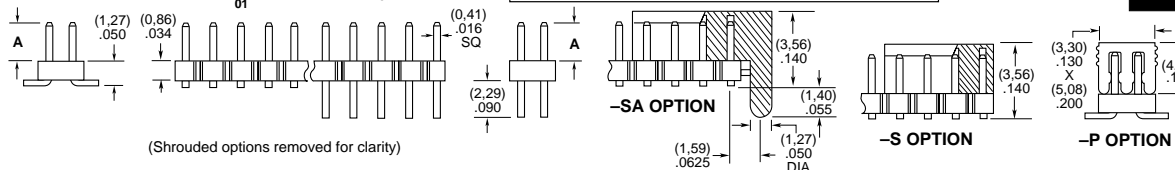
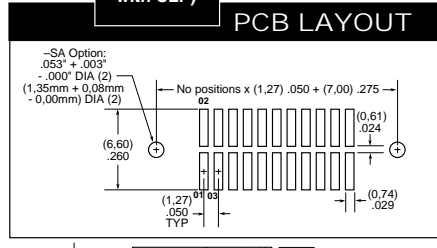
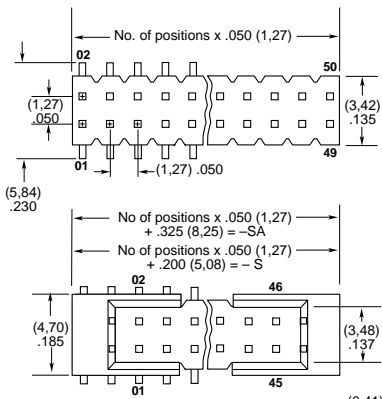
-01
 = .120 (3,05) Post (Mates with FFSD)
-02
 = .075 (1,91) Post (Mates with FLE)
-03
 = .065 (1,65) Post (Mates with CLP)

-L
 = 10µ" (0,25µm) Gold on post 150µ" (3,81µm) Tin on tail
-F
 = Gold flash on post, 150µ" (3,81µm) Tin on tail

-DV
 = Double Vertical SMT
-D
 = Double Row Through Hole

-SA
 = Shrouded with Alignment Pin (05 thru 46 positions. Style -02 & -03 only. -SV not available.)
-S
 = Shrouded (04 thru 46 positions. Style -02 & -03 only. -SV not available.)
-P
 = Pick & Place (05 positions minimum) Pad (-SV & -S not available)
-TR
 = Tape & Reel (-SV & -DV only. -SA not available.)

LEAD STYLE	A
-01	(3,05) .120
-02	(1,91) .075
-03	(1,40) .055



TOLERANCES ARE IN INCHES
 UNLESS OTHERWISE NOTED
 ONE PLACE DECIMALS ±.1[2.5] THREE PLACE DECIMALS ±.005[.13]
 TWO PLACE DECIMALS ±.0[.25] FOUR PLACE DECIMALS ±.0020[.051]
 ANGLES ±2°

FTS-1XX-XX-X-XX-XX
 No. OF POSITIONS
 -02 THRU -50 (UNSHROUDED)
 -06 THRU -46 (SHROUDED)
 (PER ROW)
 LEAD STYLE
 SEE TABLE 1
 PLATING
 -L: LIGHT SELECTIVE (USE T-1S15-XX-L)
 -F: FLASH SELECTIVE (USE T-1S15-XX-F)
 -S: SELECTIVE (USE T-1S15-03-S) *
 (MINIMUMS APPLY)
 OPTIONS
 -P: PICK & PLACE PAD (USE PPP-25)
 (AVAILABLE ON POSITIONS -05 THRU -50)
 (SEE FIG. 5, SHT 2 & FIG 7, SHT 3)
 -TR: TAPE & REEL PACKAGING
 -S: END SHROUDS (SEE FIG. 3, SHT 2 & FIG 6, SHT 3)
 (LEAD STYLE -02 & -03 ONLY)
 [05 POS MINIMUM, 46 POS MAXIMUM]
 -SA: END SHROUDS W/ ALIGNMENT PINS
 (SEE FIG. 4, SHT 2 & FIG 8, SHT 3)
 (LEAD STYLE -02 & -03 ONLY)
 [05 POS MINIMUM, 46 POS MAXIMUM]
 -A: MOLDED ALIGNMENT PIN (FTS-XX-DV-XX)
 (5 POS. MINIMUM)
 (SEE FIG. 9, SHT 3)

TAIL OPTION
 -D: DOUBLE ROW THROUGH HOLE
 -DV: DOUBLE ROW VERTICAL SURFACE MOUNT

PACKAGING VIEW

LEAD STYLE	PACKAGING TUBE (SEE NOTE 8 & 9)	PLUG
-01-D	PT-1-24-12-09	TP-12
-01-DV	PT-1-24-01-43	TP-24
-02-D	PT-1-24-01-16	TP-12
-DV, -D-P, -DV-P	PT-1-24-01-43	TP-24
-D-S(A)-P	PT-1-24-11-09	TP-24
-D-S(A)-P	PT-1-24-01-09	TP-24
-D-S(A)	PT-1-24-01-37	TP-24-02
-DV-S(A)	PT-1-24-02-36	TP-24-02

NOTE: POSITIONS -05 THRU -50 TO BE TUBED. POSITIONS -02 THRU -04 ON TAIL OPTION -D TO BE LAYER PACKAGED. POSITIONS -02 THRU -04 ON TAIL OPTION -DV TO BE TAPE & REELED.

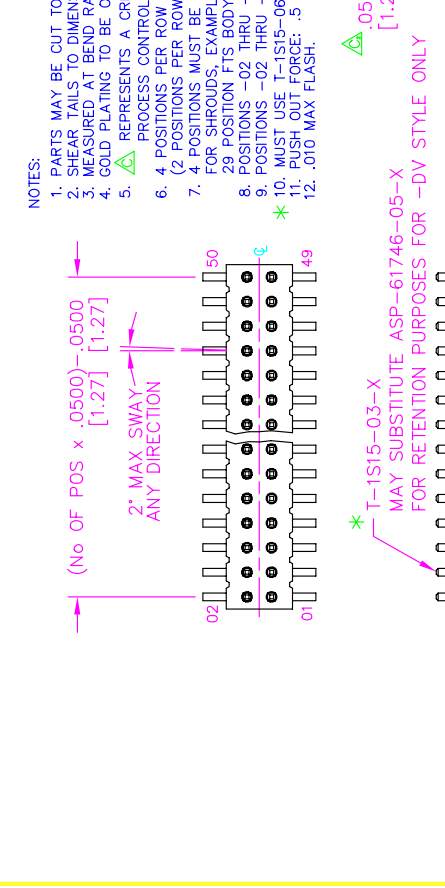
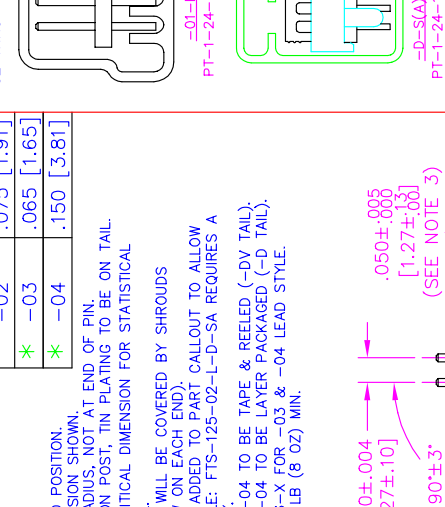
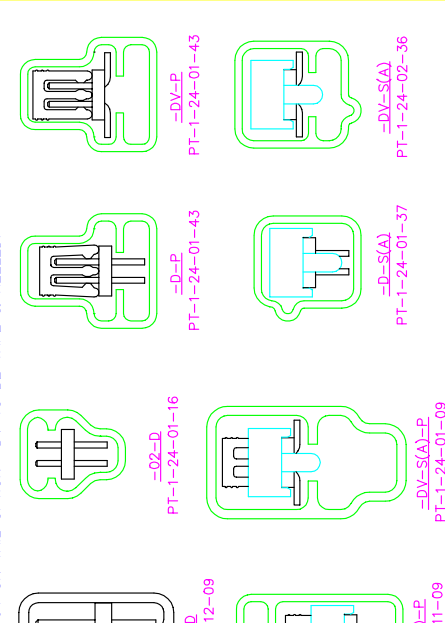
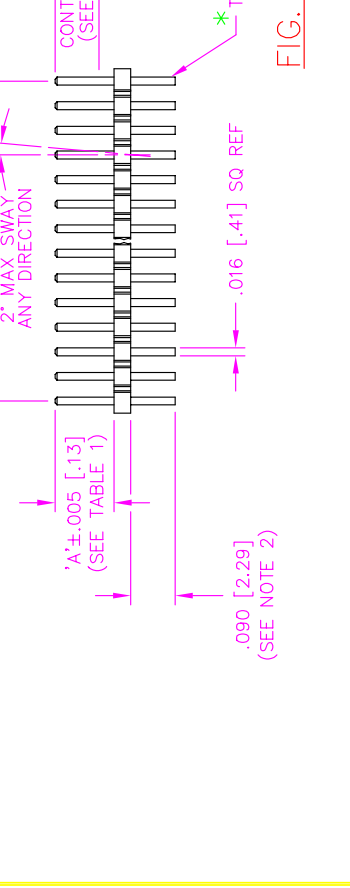
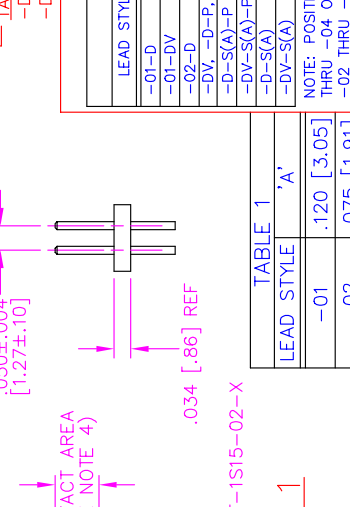


TABLE 1
 LEAD STYLE *A'
 -01 .120 [3.05]
 -02 .075 [1.91]
 * -03 .065 [1.65]
 * -04 .150 [3.81]

TABLE 2
 LEAD STYLE PACKAGING TUBE (SEE NOTE 8 & 9) PLUG
 -01-D PT-1-24-12-09 TP-12
 -01-DV PT-1-24-01-43 TP-24
 -02-D PT-1-24-01-16 TP-12
 -DV, -D-P, -DV-P PT-1-24-01-43 TP-24
 -D-S(A)-P PT-1-24-11-09 TP-24
 -D-S(A)-P PT-1-24-01-09 TP-24
 -D-S(A) PT-1-24-01-37 TP-24-02
 -DV-S(A) PT-1-24-02-36 TP-24-02

NOTE: POSITIONS -05 THRU -50 TO BE TUBED. POSITIONS -02 THRU -04 ON TAIL OPTION -D TO BE LAYER PACKAGED. POSITIONS -02 THRU -04 ON TAIL OPTION -DV TO BE TAPE & REELED.

FIG. 1
 FIG. 2
 FIG. 3
 FIG. 4
 FIG. 5

Do not scale from this print

NOTES:
 1. PARTS MAY BE CUT TO POSITION.
 2. SHEAR TAILS TO DIMENSION SHOWN.
 3. MEASURED AT BEND RADIUS, NOT AT END OF PIN.
 4. GOLD PLATING TO BE ON POST, TIN PLATING TO BE ON TAIL.
 5. Δ REPRESENTS A CRITICAL DIMENSION FOR STATISTICAL PROCESS CONTROL.
 6. 4 POSITIONS PER ROW WILL BE COVERED BY SHROUDS (2 POSITIONS PER ROW ON EACH END).
 7. 4 POSITIONS MUST BE ADDED TO PART CALLOUT TO ALLOW FOR SHROUDS, EXAMPLE: FTS-125-02-L-D-SA REQUIRES A 29 POSITION FTS BODY.
 8. POSITIONS -02 THRU -04 TO BE TAPE & REELED (-D TAIL).
 9. POSITIONS -02 THRU -04 TO BE LAYER PACKAGED (-D TAIL).
 * 10. MUST USE T-1S15-06-X FOR -03 & -04 LEAD STYLE.
 11. PUSH OUT FORCE: .5 LB (8 OZ) MIN.
 12. .010 MAX FLASH.

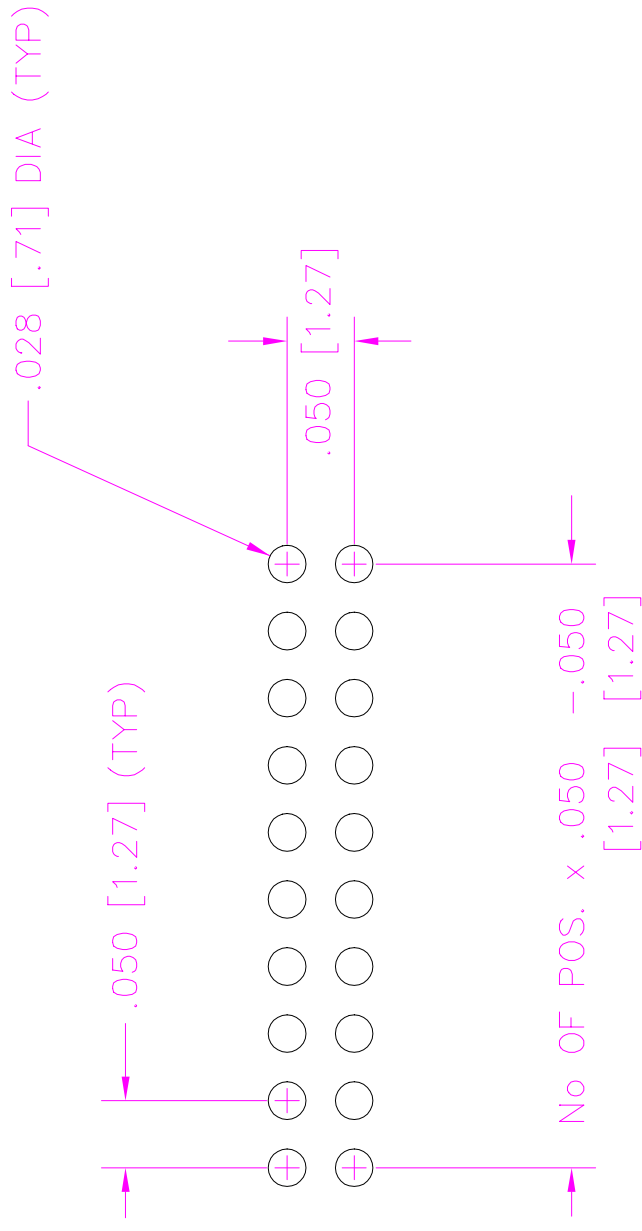
PROPRIETARY NOTE
 THIS DOCUMENT CONTAINS INFORMATION THAT IS UNCLASSIFIED AND SHALL NOT BE REPRODUCED OR DISCLOSED TO OTHER DOCUMENTS OR INDIVIDUALS WITHOUT THE WRITTEN CONSENT OF SAMTEC INC.

MATERIAL: VECTRA E130
 COLOR: BLACK
 TERMINAL: PHOS BRONZE
 MAX FLASH ALLOWED: .002 [.05]
 MAX GATE VESTIGE ALLOWED: .002 [.05]

PLOT SCALE: 1 = .2
 MISC. MK'G FTS-ASH
santec
 520 PARK EAST NEW ALBANY, INDIANA 47150
 PHONE (812) 944-6735 P.O. BOX 1147
 CODE 55322
 MADE BY: BRATCHER 11-29-93
 ENG. APPROVAL
 FTS-1XX-XX-X-XX-XX
 SHEET 1 OF 4

RECOMMENDED P.C. BOARD LAYOUT FOR FTS & FTSH THROUGH HOLE (DOUBLE)

REV. B



MISC\MKTG\FOOTPRINT
FTS-DTH



810 PROGRESS BLVD. NEW ALBANY, INDIANA 47150
PHONE (812) 944-6733 P.O. BOX 1147

PLOT SCALE: 1 = .1