

K5ABCD-Hybrid surface mount parts list and location

Left-hand hybrid parts

(centre measured from "A" (Front-edge hybrid centre))

Parts name	Parts type	Centre (XL,YL)	Size
Chip resistors			
R33	5.1 k	(-36.31,-2.92)	1608
R34	5.1 k	(-35.01,-2.92)	1608
R35	1 k	(-36.31,-6.12)	1608
R36	0	(-35.01,-6.12)	1608
Chip capacitors			
C1	0.22u	(-30.72,-7.37)	1608
C2	0.22u	(-20.48,-7.37)	1608
C3	0.22u	(-10.24,-7.37)	1608
C4	0.22u	(-0,-7.37)	1608
C5	0.22u	(10.24,-7.37)	1608
C6	0.22u	(20.48,-7.37)	1608
C7	0.22u	(30.72,-7.37)	1608
C15	0.22u	(-30.72,-14.1)	1608
C16	0.22u	(-20.48,-14.1)	1608
C17	0.22u	(-10.24,-14.1)	1608
C18	0.22u	(-0,-14.1)	1608
C19	0.22u	(10.24,-14.1)	1608
C20	0.22u	(20.48,-14.1)	1608
C21	0.22u	(30.72,-14.1)	1608
C51	0.33u	(-33.31,-12.52)	3216
C52	0.33u	(-33.31,-17.52)	3216
C53	0.33u	(33.25,-4.4)	3216
C54	0.33u	(33.25,-14.92)	3216
C71	0.01u/630 V	(-32.71,-7.62)	3216
C72	0.01u/630 V	(-32.71,-2.82)	3216
C73	0.01u/630 V	(36.1,-2.7)	3216
Thermistors			
TM1	10 k	(15.36,-18.72)	1608
ABCD3 ASICs			
m00	ABCD3	(-25.6,-7.92)	6.55x8.4
s01	ABCD3	(-15.36,-7.92)	6.55x8.4
s02	ABCD3	(-5.12,-7.92)	6.55x8.4
s03	ABCD3	(5.12,-7.92)	6.55x8.4
s04	ABCD3	(15.36,-7.92)	6.55x8.4
e05	ABCD3	(25.6,-7.92)	6.55x8.4
Hybrid alignment fiducial marks			
F1		(-31.5,-2.7)	
F2		(31.5,-2.7)	

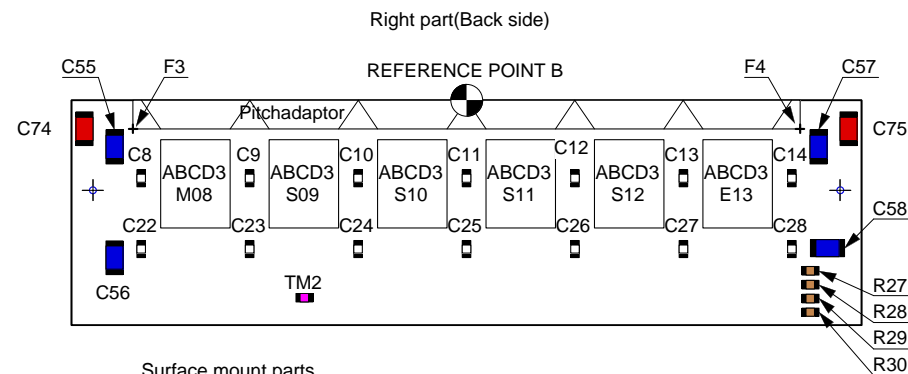
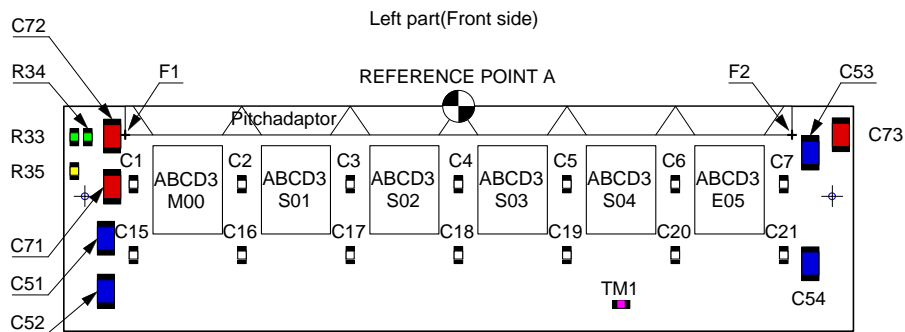
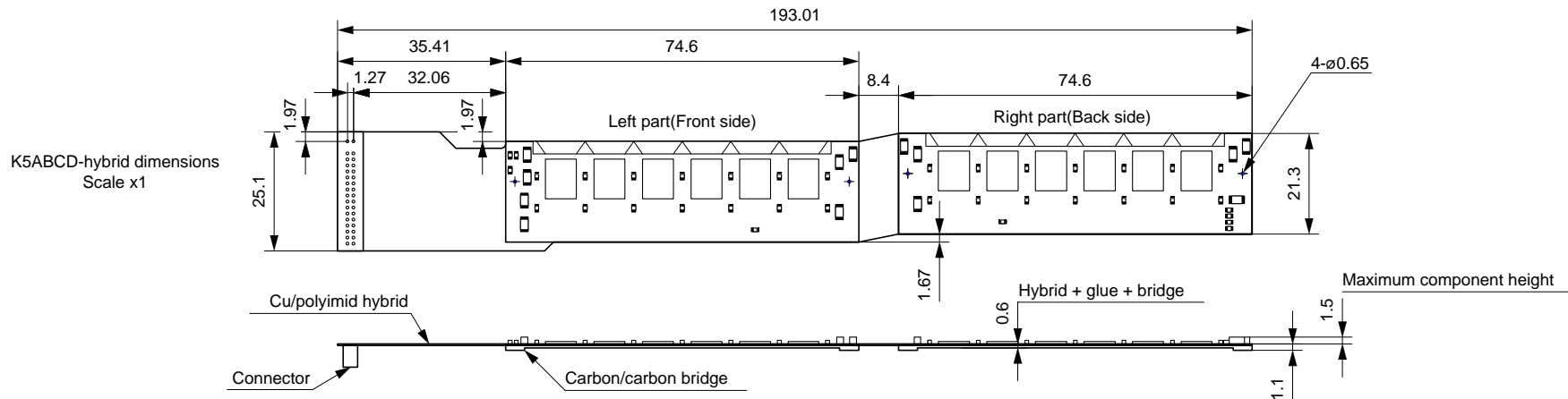
Right-hand hybrid parts

(centres measured from "B" (Front-edge hybrid centre))

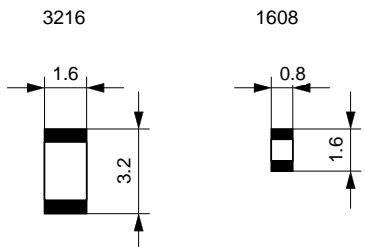
Parts name	Parts type	Centre (XR, YR)	Size
Chip resistors			
R27	100	(32.48,-16.17)	1608
R28	100	(32.48,-17.47)	1608
R29	100	(32.48,-18.77)	1608
R30	100	(32.48,-20.07)	1608
Chip capacitors			
C8	0.22u	(-30.72,-7.37)	1608
C9	0.22u	(-20.48,-7.37)	1608
C10	0.22u	(-10.24,-7.37)	1608
C11	0.22u	(-0,-7.37)	1608
C12	0.22u	(10.24,-7.37)	1608
C13	0.22u	(20.48,-7.37)	1608
C14	0.22u	(30.72,-7.37)	1608
C22	0.22u	(-30.72,-14.1)	1608
C23	0.22u	(-20.48,-14.1)	1608
C24	0.22u	(-10.24,-14.1)	1608
C25	0.22u	(-0,-14.1)	1608
C26	0.22u	(10.24,-14.1)	1608
C27	0.22u	(20.48,-14.1)	1608
C28	0.22u	(30.72,-14.1)	1608
C55	0.33u	(-33.25,-4.4)	3216
C56	0.33u	(-33.25,-14.92)	3216
C57	0.33u	(33.25,-4.4)	3216
C58	0.33u	(34.09,-14.0)	3216
C74	0.01u/630 V	(-36.1,-2.7)	3216
C75	0.01u/630 V	(36.1,-2.7)	3216
Thermistors			
TM2	10 k	(-15.31,-18.69)	1608
ABCD3 ASICs			
m08	ABCD3	(-25.6,-7.92)	6.55x8.4
s09	ABCD3	(-15.36,-7.92)	6.55x8.4
s10	ABCD3	(-5.12,-7.92)	6.55x8.4
s11	ABCD3	(5.12,-7.92)	6.55x8.4
s12	ABCD3	(15.36,-7.92)	6.55x8.4
e13	ABCD3	(25.6,-7.92)	6.55x8.4
Hybrid alignment fiducial marks			
F3		(-31.5,-2.7)	
F4		(31.5,-2.7)	

Notes:

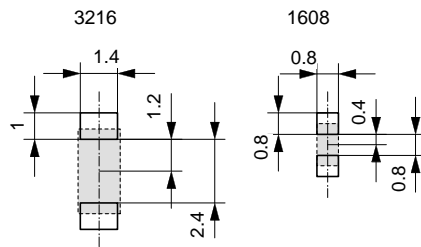
Size (mm)	1608	1.6 x 0.8
	3216	3.2 x 1.6



Chip parts detail
Scale x5



Solder pads and chip parts detail
Scale x5



Surface mount parts

Parts No.	Value	Dimension (TxWxL)	Quantity
C1-C28	0.22uFx10V	0.8x0.8x1.6mm ³	28
C51-C58	2.2uFx16V	1.15x1.6x3.2mm ³	8
C71-C75	0.01uFx630V	1.25x1.6x3.2mm ³	5
R27-R30	100Ω	0.5x0.8x1.6mm ³	4
R33,R34	5kΩ	0.5x0.8x1.6mm ³	2
R35	1kΩ	0.5x0.8x1.6mm ³	1
TM1, TM2	10kΩ	0.5x0.8x1.6mm ³	2
Connector			1

Note
The centres of the parts from the centres A or B in a sheet "K5ABCD-Hybrid surface mount parts"

Size	TOLERANCES UNLESS STATED	FINISH	ORIGINAL SCALE
	GEN. ±, ±deg	REMOVE ALL BURRS	x2 (x1)
	MATERIAL & SPEC. ---	SURFACE TEXTURE um Ra=-um	QUANTITY
TITLE	K5 ABCD hybrid Parts arrangement	DRAWING No. A3-AT2001-09-01-3/4	20010903/R0 T.Kohriki@KEK