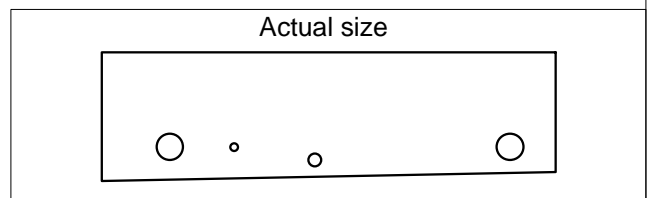
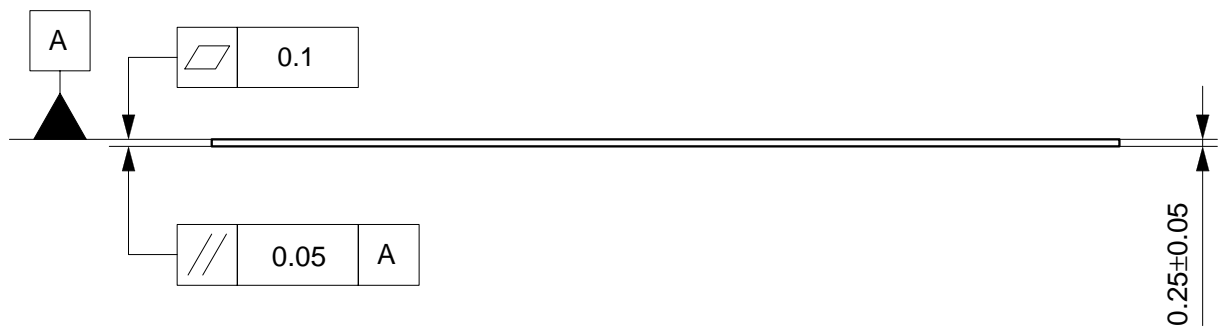
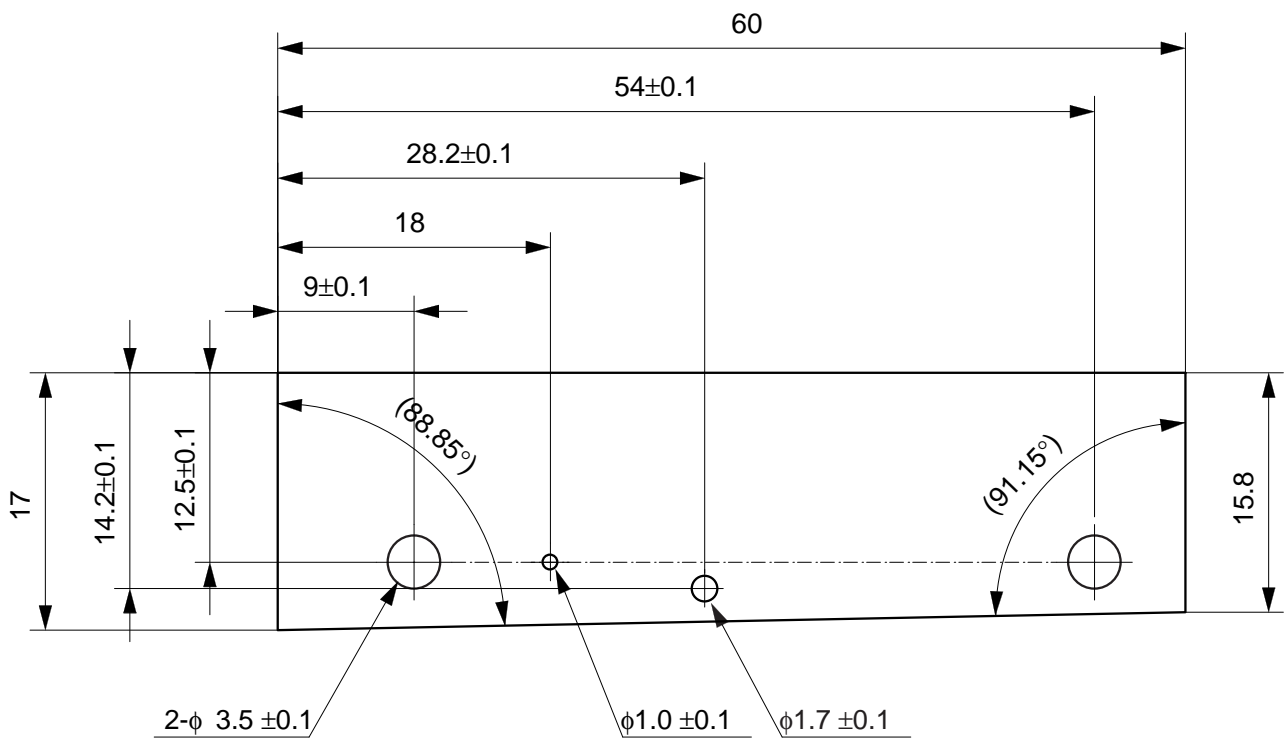
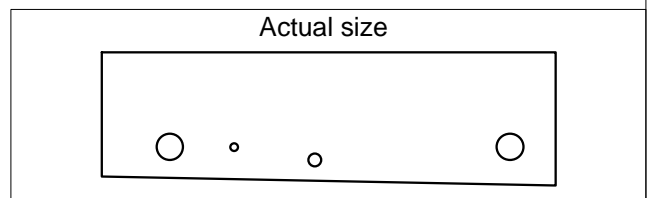
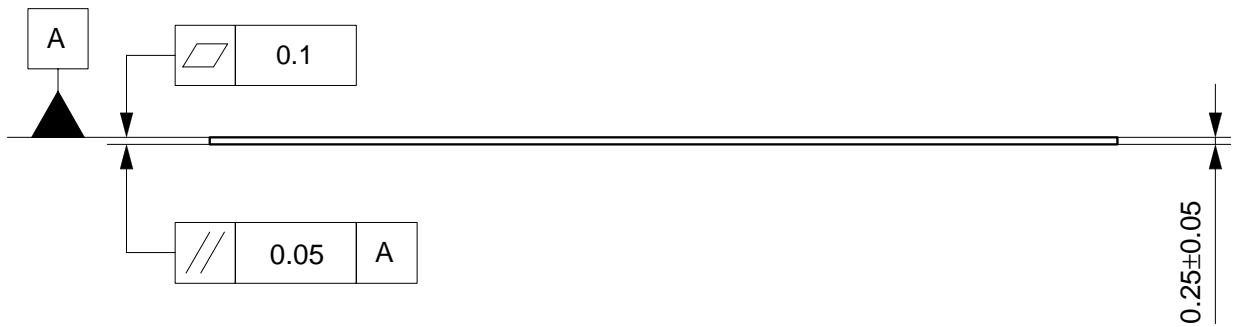
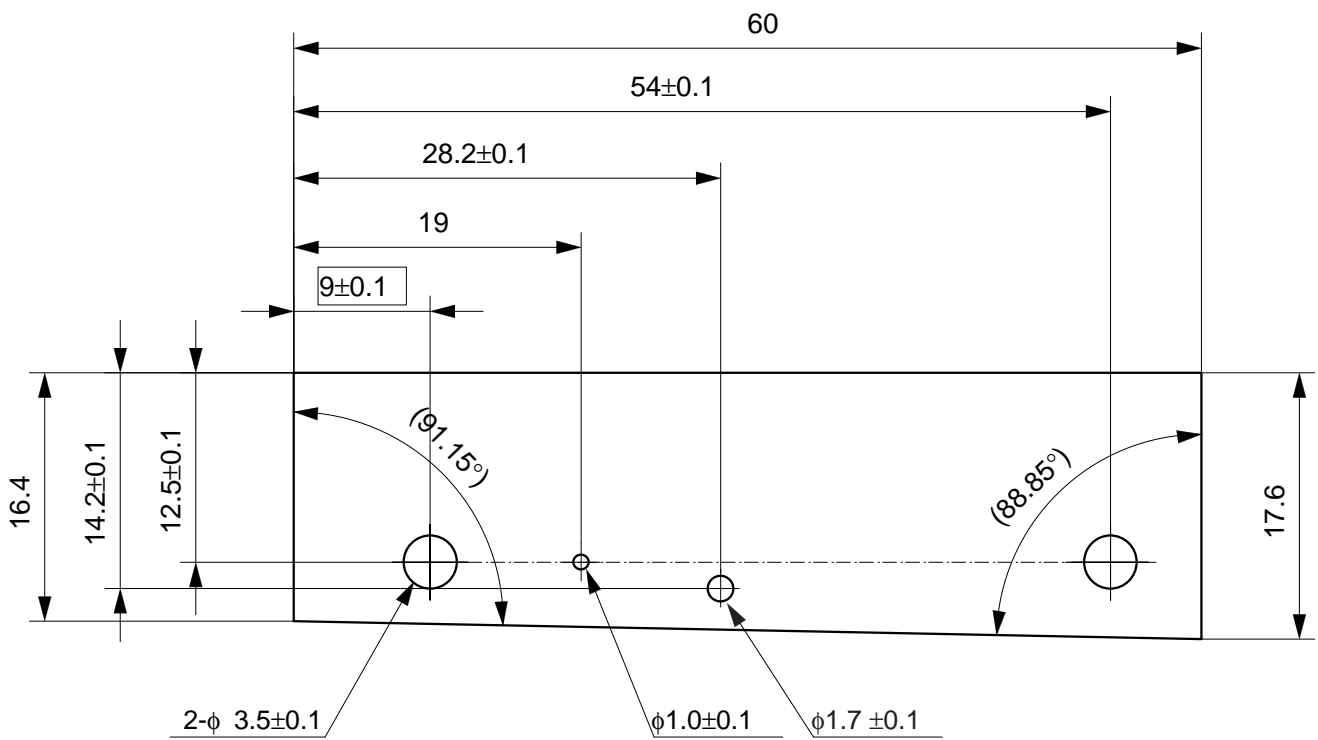


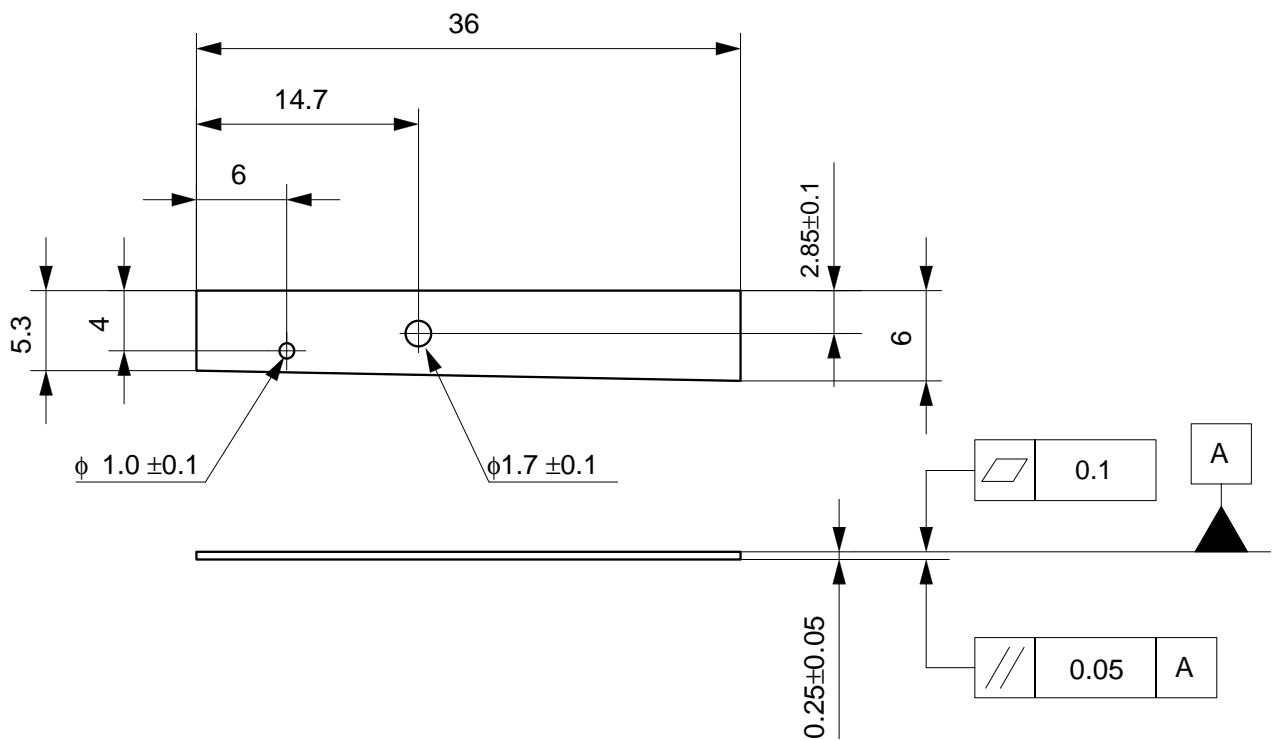
	TOLERANCES UNLESS STATED GEN. ± 0.2	FINISH REMOVE ALL BURRS	ORIGINAL SCALE 1/1
	MATERIAL & SPEC. TPG	SURFACE TEXTURE μm STOCK(UNLESS STATE)	QUANTITY pieces
	TITLE TPG baseboard(covered with polyimide) for KEK		980925/R0 T.Kohriki@KEK



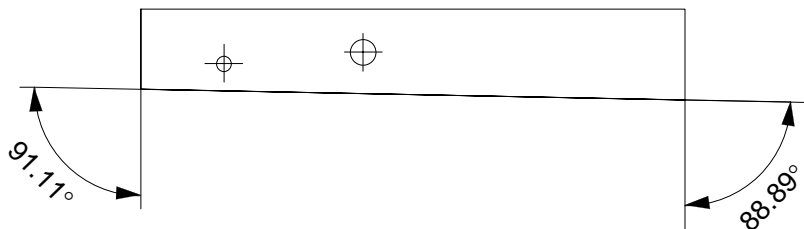
TOLERANCES UNLESS STATED GEN. ± 0.2	FINISH REMOVE ALL BURRS	ORIGINAL SCALE 2/1
MATERIAL & SPEC.	SURFACE TEXTURE μm STOCK(UNLESS STATE)	QUANTITY PIECES
TITLE FACING-CU	980925/R0 T.Kohriki@KEK	



TOLERANCES UNLESS STATED GEN. ±0.2	FINISH REMOVE ALL BURRS	ORIGINAL SCALE 2/1
MATERIAL & SPEC.	SURFACE TEXTURE μm STOCK(UNLESS STATE)	QUANTITY PIECES
TITLE FACING-CL		980925/R0 T.Kohriki@KEK

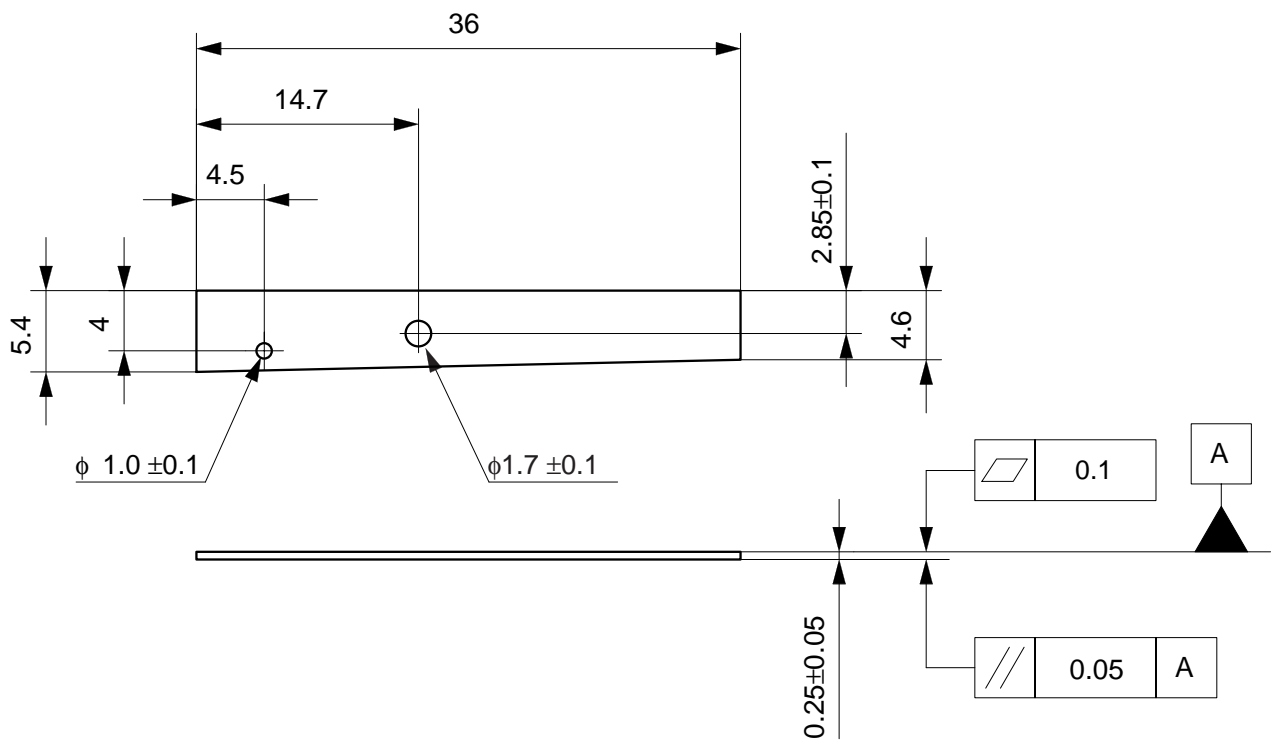


REFERENCE

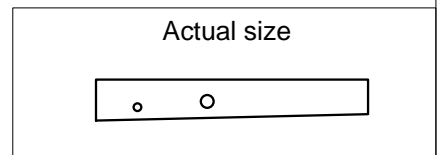
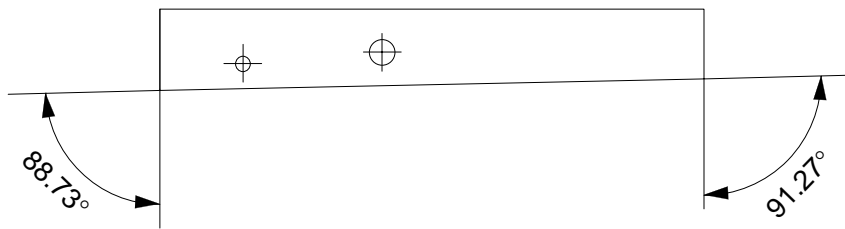


Actual size

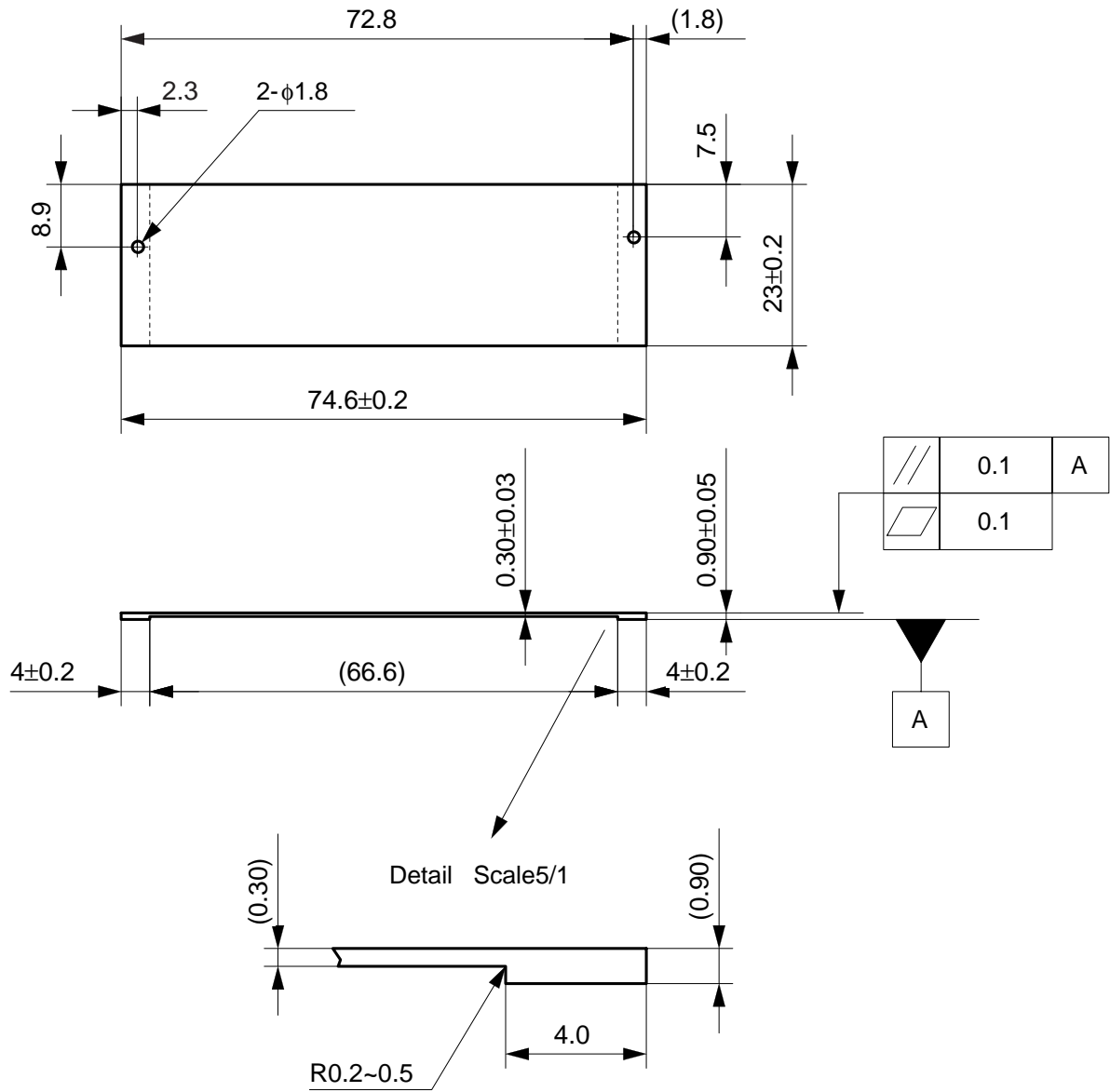
TOLERANCES UNLESS STATED GEN. ± 0.2	FINISH REMOVE ALL BURRS	ORIGINAL SCALE 2/1
MATERIAL & SPEC.	SURFACE TEXTURE μm STOCK(UNLESS STATE)	QUANTITY PIECES
TITLE FACING-FU		980925/R0 T.Kohriki@KEK



REFERENCE



TOLERANCES UNLESS STATED GEN. ± 0.2	FINISH REMOVE ALL BURRS	ORIGINAL SCALE 2/1
MATERIAL & SPEC.	SURFACE TEXTURE μm STOCK(UNLESS STATE)	QUANTITY PIECES
TITLE FACING-FL		980925/R0 T.Kohriki@KEK



TOLERANCES UNLESS STATED GEN. \pm 0.1	FINISH REMOVE ALL BURRS	ORIGINAL SCALE 1/1
MATERIAL & SPEC. Carbon/Carbon 400	SURFACE TEXTURE μ m STOCK(UNLESS STATE)	QUANTITY pieces
TITLE Carbon/Carbon bridge		981101/R1 T.Kohriki@KEK

